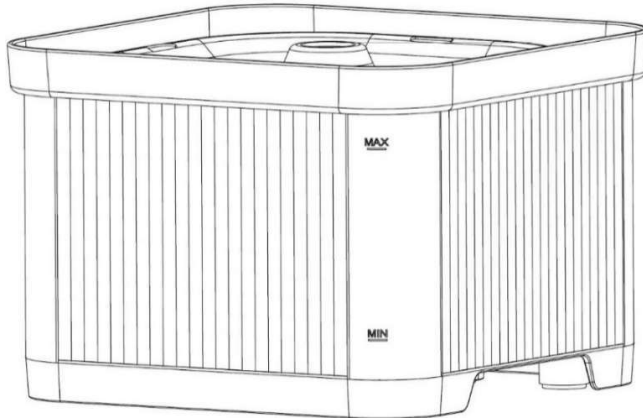


**Rasonic**  
**樂信牌**

**AQUA-GUSH**

**Wireless Pet Water Dispenser**

**無線寵物飲水器**



僅供家庭使用

For household use only

## 使用說明書

### OPERATION MANUAL

在使用本產品前，請仔細閱讀此說明書，閱讀後小心保存，以備日後查閱。

Please read the operation manual carefully before using and well keep it in a safe place for future reference.

本說明書中的圖示可能與實物有不同的地方，僅供參考。

Some figures in the manual may not match with the real object, just for reference only.



非常感謝您選購樂信牌無線寵物飲水器，在使用前請先詳細閱讀此說明書，並保存以備日後參考。

## 目錄

1. 安全注意事項
2. 產品規格
3. 產品結構
4. 保養、清潔及儲存
5. 電源的供應
6. 使用方法
7. 故障排除
8. 特別聲明
9. 售後服務

# 1. 安全注意事項

使用本產品時，必須遵守下列安全預防措施：

1. 使用前將所有包裝物料全部取出並棄掉，以免兒童或寵物當作玩具造成危險。
2. 必須使用配套的 USB 供電底座及適配器連接電源。
3. 切勿使用有殘缺或鬆動的 USB 供電底座及適配器。使用前，確保 USB 供電底座及適配器已充分抹乾，及使用時須插穩。
4. 切勿在 USB 供電底座、適配器及產品上放重物或讓其接觸灼熱的表面；切勿夾住、改裝、用力拉扯或扭曲 USB 供電底座、適配器及本產品。
5. 切勿在 USB 供電底座電源線纏結的情況下連接電源。
6. 切勿將 USB 供電底座及適配器浸入水中，或被水濺濕，以免造成觸電的危險。
7. 手濕時切勿安裝配件、接觸、插入或拆除 USB 供電底座及適配器，否則可構成觸電的危險。
8. 在插入或拔除適配器時，應用手握穩適配器，切勿抓住電源線。
9. 切勿讓小孩在沒有監督下使用、清潔及維修保養本產品或玩耍器具。必須將 USB 供電底座、適配器及本產品及其放於小孩不能接觸的地方。
10. 產品只能在室內使用。切勿在陽光直射的環境中使用。

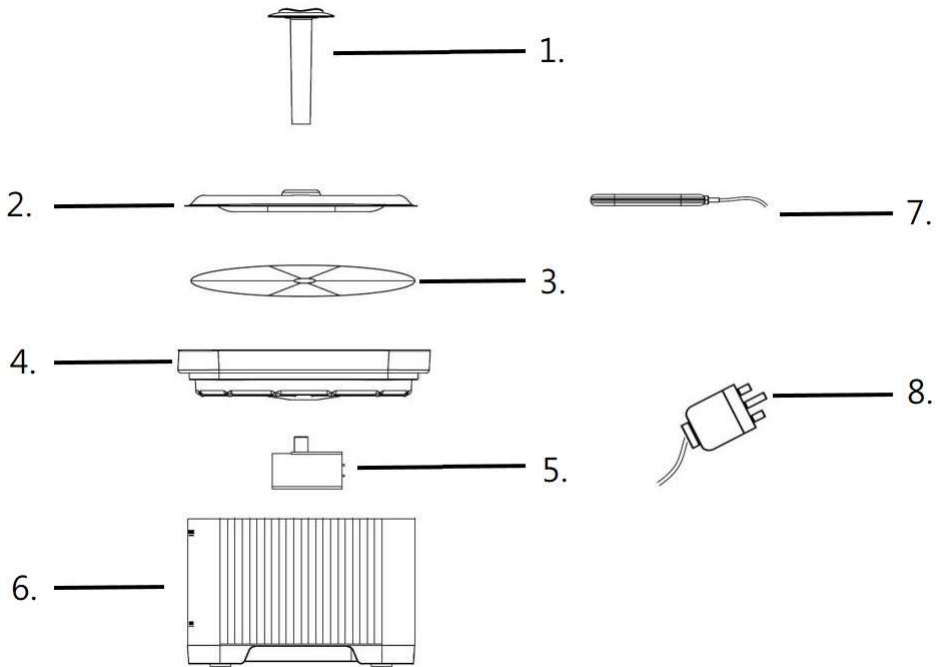
11. 為避免危險，使用時必須遠離以下地方：
  - 易燃物、噴霧劑及煙劑等周圍
  - 熱源（如散熱器）、火源或直接受陽光照射的地方
  - 近水的環境
  - 大量熱氣、蒸氣或潮濕的地方
12. 本產品可供年齡在 8 歲或以上的兒童及體質、感覺或智力有障礙人士或缺乏經驗和相關知識的人士使用，但他們必須曾經接受負責安全人士的監督或指導如何安全地使用本產品和理解所涉及的危險。
13. 三個月以下的寵物不建議使用本產品。
14. 應按寵物類型、年齡、行為或飲食習慣等使用本產品。
15. 為防止危險，小心蓋住或隱藏電源線，以防寵物咬到電源線造成觸電。
16. 經常檢查本產品、USB 供電底座及適配器。為避免危險，如有損壞應立即停止使用，並聯絡信興電器服務中心有限公司進行檢查及維修。切勿擅自改裝本產品或使用非生產商提供的零件進行修理，否則可造成危險及維修保養將會無效。
17. 在清潔本產品、安裝或拆卸配件前，確保 USB 供電底座及適配器已從插座拔掉，斷絕電源。
18. 切勿將本產品放置於書櫃、壁櫥或其他封閉的空間。確保本產品存放在通風良好的環境。
19. 切勿利用水箱頂蓋直接提起本產品。搬運時，需雙手提起水箱底座搬運，同時保持本產品處於直立位置。
20. 為防止寵物撲倒產品，建議放置本產品於角落或靠牆位置。

## 2. 產品規格

型號	AQUA-GUSH
額定電壓/ 電流	5.0 伏特= 1.0 安培
額定功率	5.0 瓦
電源適配器輸入電壓/ 頻率/ 電流	100-240 伏特~ 50/60 赫茲 0.15 安培
電源適配器輸出電壓/ 電流/ 功率	5.0 伏特= 1.0 安培 5.0 瓦
水箱容量 (約)	2.3 升
產品尺寸 (闊 x 深 x 高) (約)	219 x 219 x 169 毫米
淨重 (約)	1.08 公斤 (包括所有配件)

### 3. 產品結構

#### 3.1 產品說明



- |          |             |
|----------|-------------|
| 1. 出水管   | 5. 水泵       |
| 2. 金屬儲水盤 | 6. 水箱       |
| 3. 水箱濾網  | 7. USB 供電底座 |
| 4. 水箱頂蓋  | 8. 適配器      |

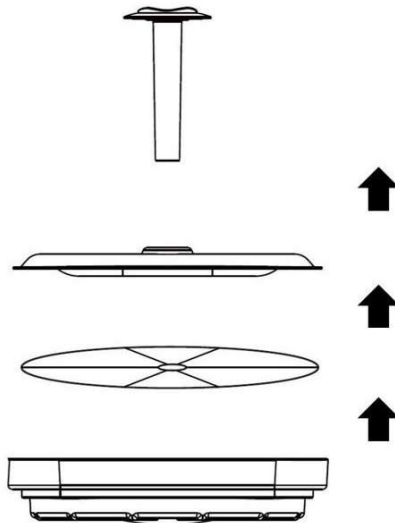
### 3.2 水泵零部件說明

零部件名稱	示意圖
水泵過濾棉	
水泵帽	
水泵內蓋	
水泵轉子	
水泵主體	

## 4. 保養、清潔及儲存

建議用戶定期清潔本產品，否則灰塵及殘渣過度積聚，有可能危害寵物健康。

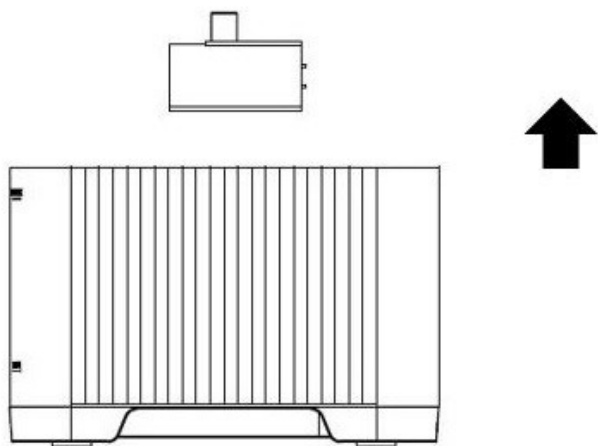
### 4.1 配件的拆除



1. 向外提起出水管及金屬儲水盤，以更換水箱濾網。

**備註：**水箱濾網及水泵過濾棉需定時更換，建議每月更換一次。

**備註：**適用於本產品的濾網型號為AQUA-GUSH-CF。

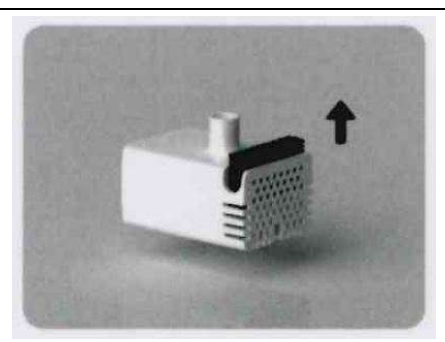


2. 向上提起水箱頂蓋後，取出水泵並清除水箱內的食水。

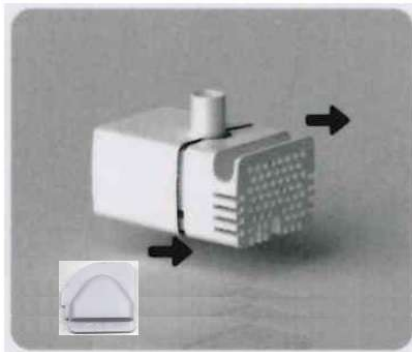
**備注：**水箱及水泵需定時清潔，建議每週清洗一次。

## 4.2 水泵的拆除

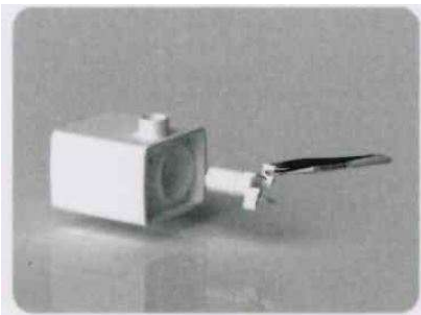
1. 按圖示向上取出水泵過濾棉。



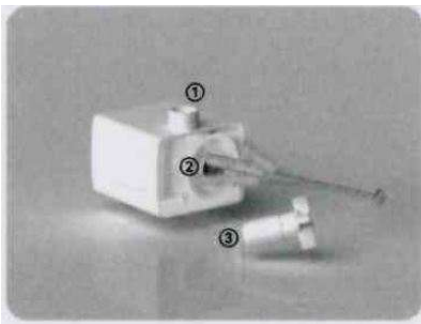
2. 按箭嘴方向打開水泵帽，然後再取出水泵內蓋。



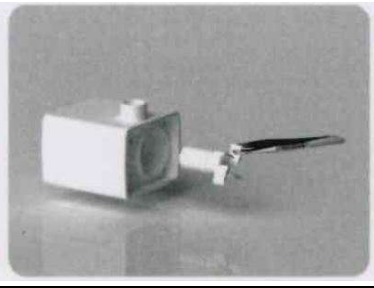
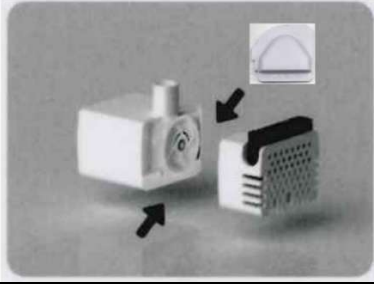
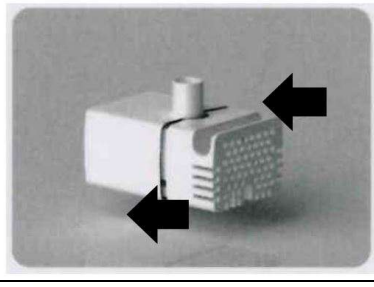
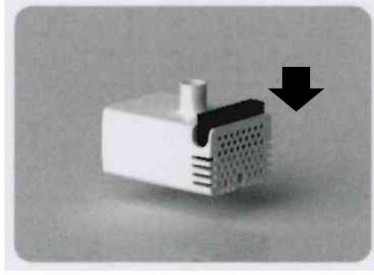
3. 使用鑷子取出水泵轉子以進行清潔。  
**\*備註：本產品並沒有附送鑷子，用戶須自行準備。**



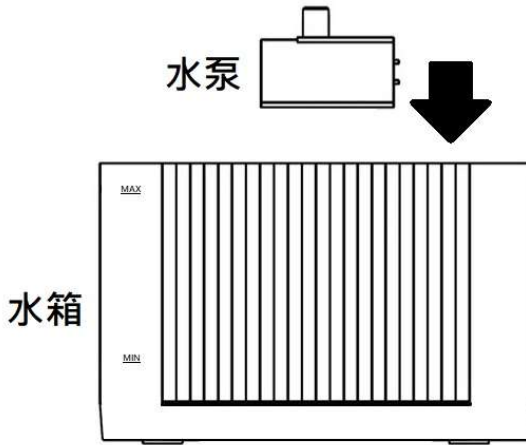
4. 使用清潔刷清潔圖中水泵的之位置 ①-③。  
**\*備註：本產品並沒有附送清潔刷，用戶須自行準備。**



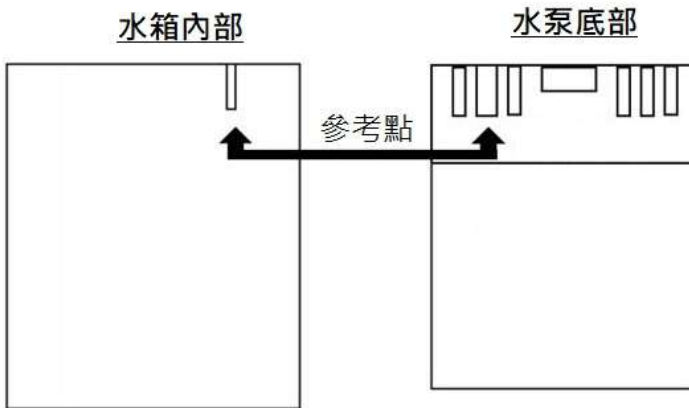
### 4.3 水泵的組裝

<p>1. 使用鑷子，按圖示將水泵轉子安裝於水泵內。</p>	
<p>2. 將水泵內蓋蓋好於水泵轉子上。</p>	
<p>3. 按箭咀方向安裝水泵帽。</p>	
<p>4. 最後放入水泵過濾棉，水泵的組裝完成。</p>	

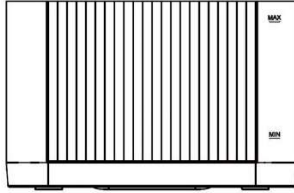
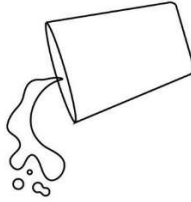
## 4.4 配件的組裝



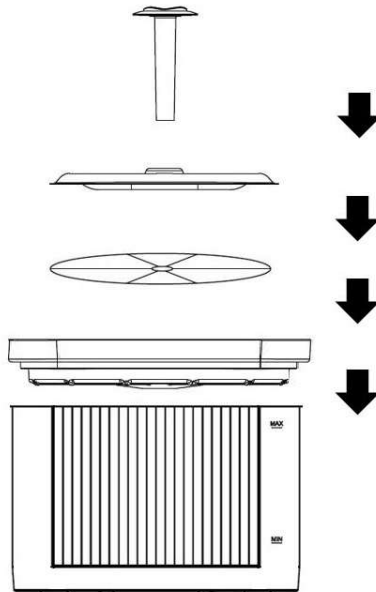
1. 將已清潔的水泵，安裝於水箱內部的卡槽位置。



2. 參考上圖，將水泵底部的參考點對準水箱內的卡槽。



3. 加入飲用水。



4. 順次序將水箱頂蓋、水箱濾網、金屬儲水盤及出水管逐一安裝於水箱，配件組裝完成。

## 4.5 水箱及配件的清潔

**備註：**建議先清除水箱內的飲用水後，再進行水箱及配件的清潔及保養。

1. 清潔前，必須確保產品已關閉，並清空水箱和拆卸配件。
2. 可用濕軟布清潔 USB 供電底座和適配器表面，然後抹乾。  
**切勿**用水沖洗。
3. 可用清水或少量中性清潔劑清洗配件。
4. 切勿用天拿水、汽油、去污粉、硬質刷或金屬刷來清潔配件，以免刮花或腐蝕配件表面，致產生異味或滋生細菌。
5. 切勿使用有毒或含腐蝕性清潔劑進行清潔。

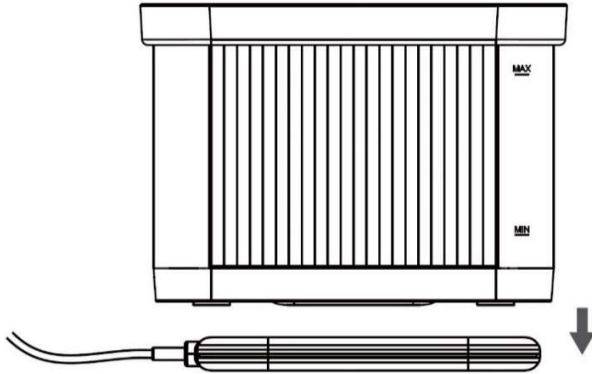
## 4.6 儲存

1. 如長期不使用本產品，需清空剩餘的飲用水、取出水泵、拔掉 USB 供電底座及適配器。
2. 於清潔後充分乾燥，然後套上塑膠袋，藏於乾爽及避免紫外光直接照射的環境。

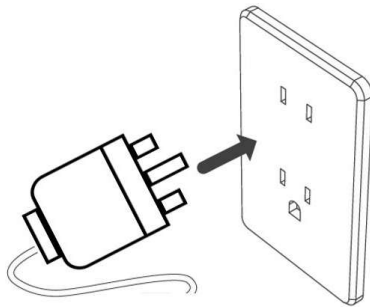
## 5. 電源的供應

### 5.1 接通電源

1. 避免損壞產品，應妥善安裝配件後，再連接電源。
2. 水箱及水泵的安裝方法，請參考**章節 4.3 水泵的組裝**及**章節 4.4 配件的組裝**。



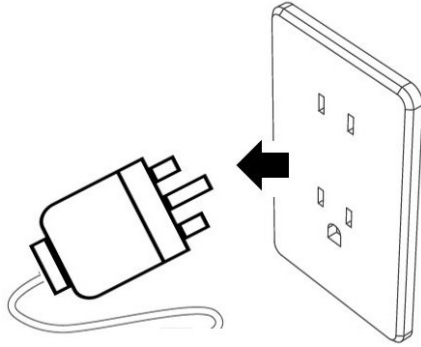
3. 完成水箱與配件的安裝後，將水箱平穩放置於 USB 供電底座上。



4. 將 USB 電源線連接適配器，然後將適配器接駁電源，本產品開始運作。

## 5.2 截斷電源

**注意！** 拆除配件前，必須確保本產品已斷開電源。



從插座拔出適配器，並由水箱的底部取出 USB 供電底座，以斷絕電源供應。

## 6. 使用方法

### 6.1 首次使用前

1. 先將本產品的包裝物料全部清除。如本產品的外殼上附有包裝袋，應將包裝袋除去後才使用。切勿讓小孩或寵物玩弄包裝袋，否則可能會引致窒息及危險。
2. 徹底檢查本產品及配件有否損壞及裂痕。如有損壞，切勿組裝或使用本產品。
3. 首次使用前，先用扭乾的濕布清潔 USB 供電底座表面。其他與飲用水接觸的配件則可用中性清潔劑清洗。

## 6.2 使用前準備

1. 使用前，建議將本產品放置於角落或靠牆位置，及放置於水平穩固、乾爽、抗熱及防水的表面上，以免發生意外。
2. 連接電源前，須確保妥善安裝水箱及配件。  
**注意！**為免使寵物咬到 USB 電源線造成觸電，必須小心蓋住或隱藏 USB 電源線。

## 6.3 使用說明

1. 按照**章節 4.3 水泵的組裝**，將組裝好的水泵放入水箱內。
2. 按照**章節 4.4 配件的組裝**，將配件逐一安裝到位，並確保已加入適量的食用水。  
**注意！**切勿倒入飲用水以外的液體。  
**注意！**切勿注水超過水箱最高水位線 (MAX)。
3. 按照**章節 5.1 接通電源**，將產品的電力供應妥善連接。
4. 產品開始運作。

## 7. 故障排除

故障現象	原因	解決方法
產品不能運作。	檢查是否已連接電源。	檢查 USB 供電底座及適配器是否完好，以及是否完全插入電源插座。
產品沒有水供應。	檢查水箱是否缺水。	加足夠食用水至水箱。

如使用以上方法仍未能使產品恢復正常操作，切勿嘗試自行維修。應聯絡信興電器服務中心有限公司進行檢查及維修。

## 8. 特別聲明

1. 本資料上所有內容經過核對，如有任何印刷及內容上的誤解，本公司將保留解釋權。
2. 本產品若有技術改進，會編進新版說明書中，恕不另行通知；產品外觀、規格如有改動，則以製造商資料為準。
3. 如本資料之中英文版本有差異時，應以中文版為準。
4. 使用說明書的電子副本可以通過電子郵件發送致客戶，如有需要，可致電信興電工工程有限公司：2861 2767。

## 9. 售後服務

1. 由購買收據日期起之一年保修期內，經信興電器服務中心有限公司之服務人員證實產品故障屬於正常使用之情況下發生者，本公司將提供免費維修或更換零件服務。經更換之任何損壞零件，將歸屬本公司所有。保修範圍不包括修理或更換產品之損耗性零件等。
2. 用戶必須於維修時出示購買收據／換購收據及蓋有銷售點／換購中心印章的產品保修記錄卡。如有任何疑問，請致電信興電器服務中心有限公司熱線：2406 5666查詢。

Thank you for choosing Rasonic Wireless Pet Water Dispenser. Read the manual carefully before use and well keep it for your future reference.

## **Table of Contents**

1. Important Safeguards
2. Product Specifications
3. Product Descriptions
4. Maintenance, Cleaning and Storage
5. Power Connection
6. Operation Instructions
7. Troubleshooting
8. Special Avowal
9. After Sales Service

# 1. Important Safeguards

When using the appliance, please follow below safety precautions:

1. Remove and discard all packing materials of the appliance. Make sure children and pet do not play with them to avoid any danger.
2. Please use the provided USB power base and adapter to connect the power.
3. Never use deficient or loosen USB power base and adapter. Make sure the USB power base and adapter are dry before use and inserted firmly when use.
4. Do not put heavy objects on the USB power base, adapter and appliance or let it touch any hot surface. Never clip, modify, stretch or twist the USB power base, adapter and appliance.
5. Do not use the USB power base when it is tangle.
6. Never immerse the USB power base and adapter into water or let them wet, it is to avoid electric shock.
7. To avoid electric shock, never assemble accessories, touch, plug in or unplug the USB power base and adapter with wet hands.
8. Always hold the adapter tightly with hands when insert or remove it. Do not grasp USB power cord.

9. Children shall not play with the appliance. Using, cleaning and maintenance shall not be made by children without supervision. Put the appliance and its USB power base and adapter in a place not reachable by children.
10. The appliance is intended for indoor use. Do not use the appliance in an environment exposed to direct sunlight.
11. To avoid danger, never use the appliance near the environment of:
  - Flammable materials, sprays and aerosols
  - Heat source (e.g. radiator), fire or expose under direct sunlight
  - Near water
  - Massive hot air, steam or humid area
12. The appliance can be used by children aged from 8 years and above and person with reduced physical, sensory or mental capabilities, or lack of experience and knowledge, if they have been given supervision or instruction concerning use of the appliance in a safe way and understand the hazards involved.
13. The appliance is not recommended for pet that are under 3 months old.
14. Set the appliance according to the breeds, age, behavior or drinking habits of your pet.
15. To avoid electric shock, cover or hidden the USB power cord.

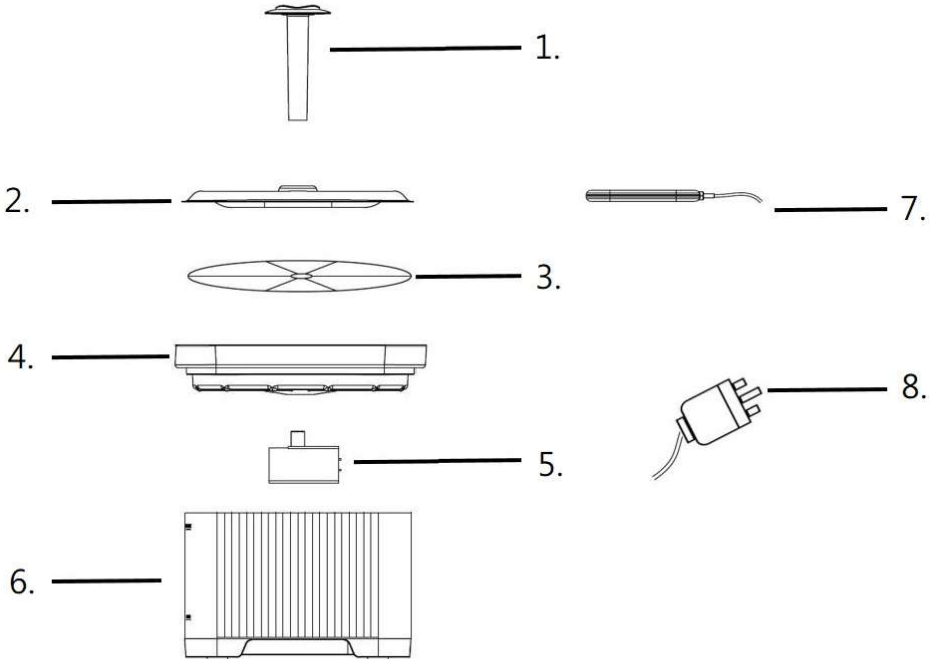
16. Always check the condition of the appliance, USB power base and adapter. To avoid hazards, please stop using immediately if any damage is found. Please contact Shun Hing Electric Service Centre Limited for checking and repairing. Do not attempt to modify the appliance by yourself or repair with any parts that are unauthorized, otherwise it may cause hazards and warranty becomes invalid.
17. Remove the adapter from the socket, USB power base and power off before cleaning the appliance, installing, or removing the accessories.
18. Do not place the appliance in a bookcase, built-in cabinet or in another confined space. Make sure the appliance stored in a well-ventilated environment.
19. Do not directly lift the appliance by the upper lid. Lift the water tank base with both hands while keeping the appliance in an upright position.
20. To prevent pets from knocking over the appliance, it is recommended to place the appliance in a corner or against a wall.

## 2. Product Specifications

<b>Model no.</b>	AQUA-GUSH
<b>Rated Voltage/ Current</b>	5.0V= 1.0A
<b>Rated Power</b>	5.0W
<b>Adapter Input Voltage / Frequency/ Current</b>	100-240V~ 50/60 Hz 0.15 A
<b>Adapter Output Voltage / Current/ Power</b>	5.0V= 1.0A 5.0W
<b>Water Tank Capacity (Approx.)</b>	2.3L
<b>Product Size (WxDxH) (Approx.)</b>	219 x 219 x 169 mm
<b>Net Weight (Approx.)</b>	1.08 kg (Including accessories)






# 3. Product Descriptions

## 3.1 Product description



- |                     |                   |
|---------------------|-------------------|
| 1. Outlet Pipe      | 5. Water Pump     |
| 2. Metal Water Tray | 6. Water Tank     |
| 3. Filter Core      | 7. USB Power Base |
| 4. Upper Lid        | 8. Adapter        |

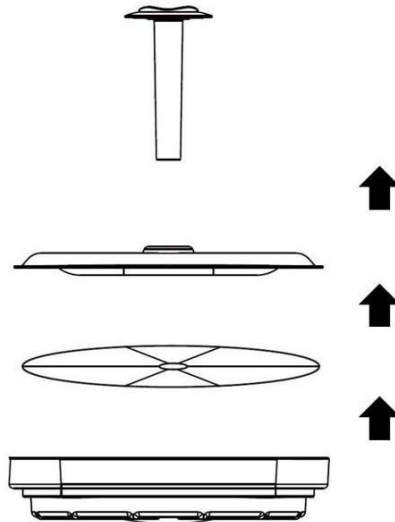
### 3.2 Water pump descriptions

Component Name	Reference Photo
Water pump filter	
Water pump cap	
Pump inner lid	
Pump rotor	
Water pump main body	

## 4. Maintenance, Cleaning and Storage

It is recommended that users clean this appliance regularly, as excessive accumulation of dust and residue could potentially harm the health of pets.

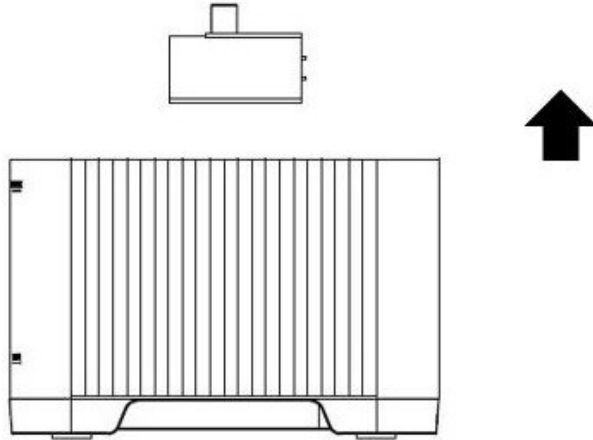
### 4.1 Disassembly accessories



1. Take out the outlet pipe and metal water tray in order to replace the filter core.

**NOTE:** Filter core and water pump filter must be replaced regularly; it is recommended to replace them every month.

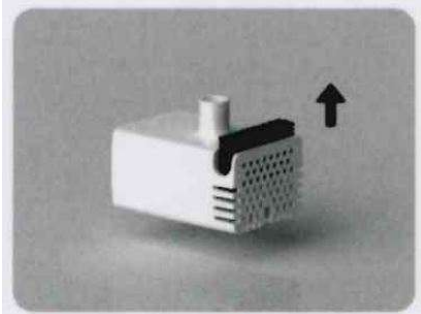
**NOTE:** Suitable filter core model is **AQUA-GUSH-CF**.



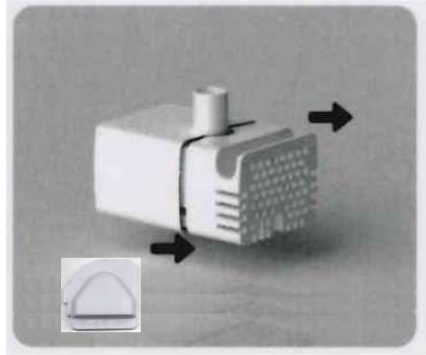
2. Lift up the upper lid of the water tank and take out the water pump. Pour out all remaining water inside the tank.  
**NOTE:** Water tank and water pump must be cleaned regularly; it is recommended to clean it every week.

## 4.2 Disassembly water pump

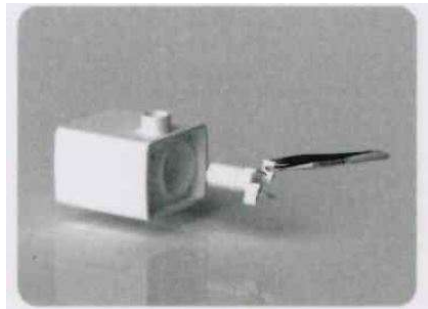
1. Refer to the illustration to take out the water pump filter.



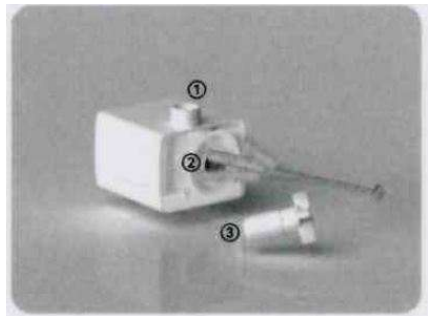
2. As the arrow stated, open the water pump cap and take out the pump inner lid inside.



3. Make use of a tweezer to take out the pump rotor.  
**NOTE: There is NO tweezer supplied with the appliance, user should prepare for it.**

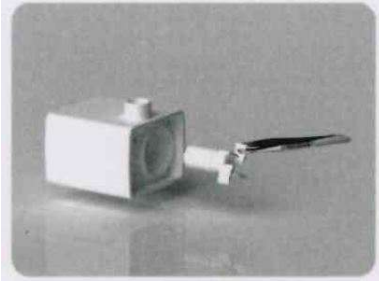


4. Make use of cleaning brush to clean the location shown in ①-③.  
**NOTE: There is NO cleaning brush supplied with the appliance, user should prepare for it.**

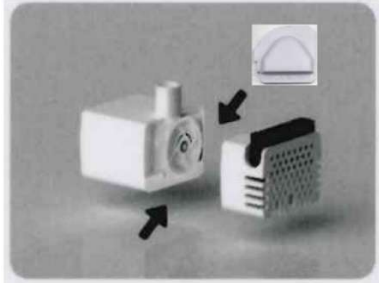


### 4.3 Assembly water pump

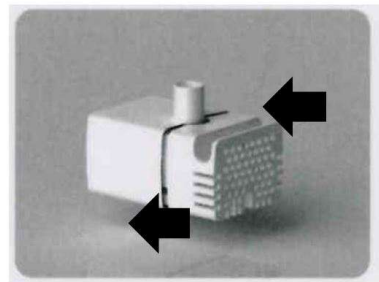
1. Make use of a tweezer to install the pump rotor.



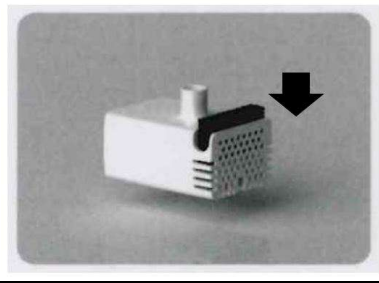
2. Install the pump inner lid on the pump rotor.



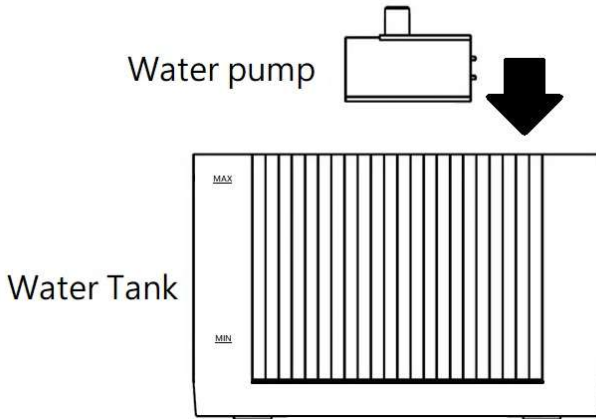
3. Install the water pump cap on the water pump main body.



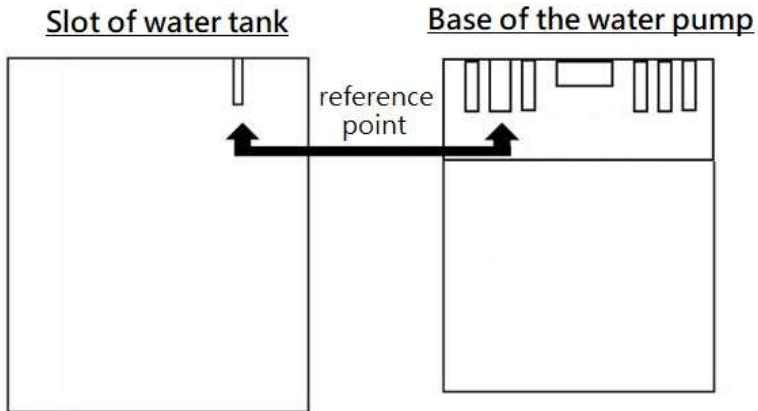
4. Insert the water pump filter back to the cap, the water pump assembly is finished.



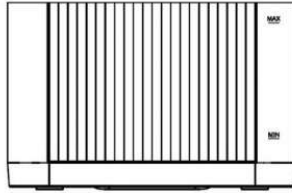
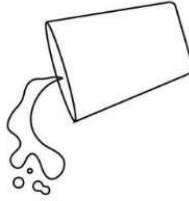
## 4.4 Assembly accessories



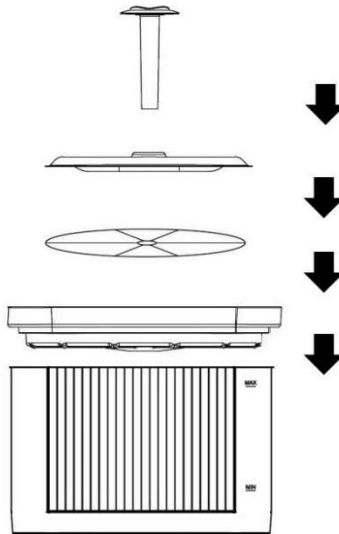
1. After cleaning the water pump, place the pump on the slot inside the water tank.



2. With reference to the above illustration, align the reference point of the water pump base to the slot of water tank.



3. Fill drinking water into the water tank.



4. Install the upper lid, filter core, metal water tray and outlet pipe on top of the water tank one by one. The assembly of accessories is finished

## 4.5 Cleaning water tank and accessories

**Note:** It is recommended to empty the drinking water in the water tank before cleaning and maintaining the appliance.

1. Before cleaning, make sure the appliance is powered off, empty the water tank and all accessories removed.
2. Clean the surface of the USB power base and adapter with a damp, soft cloth. And, dry them afterwards. **DO NOT** rinse it by water.
3. Clean all the accessories with clean water and mild detergent.
4. To avoid scratching and corroding the surface of the parts, do not use lacquer thinner, gasoline, decontamination powder, hard brush or metal brush to clean the accessories, resulting in odor or breeding of bacteria.
5. Do not use toxic or corrosive cleaning agents.

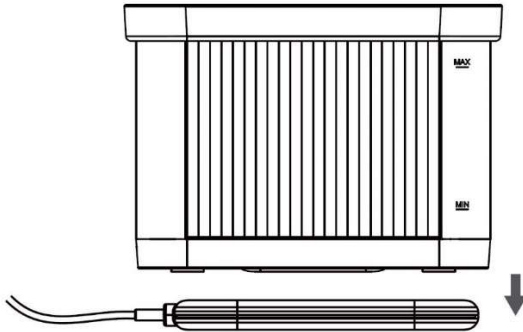
## 4.6 Storage

1. If the appliance is not in use for long time, empty the water tank, take out the water pump and with USB power base and adapter removed.
2. Put it in a plastic bag after cleaning and dried, and store it in a dry place and avoid direct ultraviolet light.

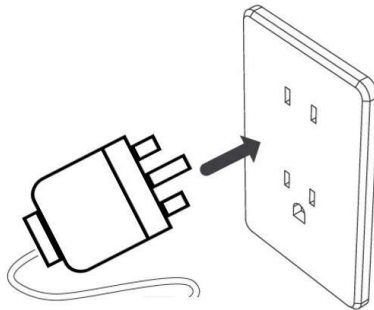
## 5. Power Connection

### 5.1 Connect to power supply

1. To avoid damaging the appliance, assembly all the accessories properly before connecting to power supply.
2. To assembly the water tank and water pump, please refer to **Chapter 4.3 Assembly water pump** and **Chapter 4.4 Assembly accessories**.



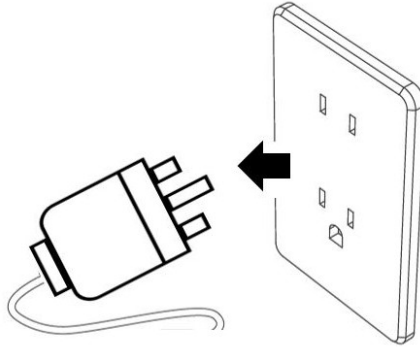
3. After assembling the water tank and all accessories, place the water tank on top of the USB power base.



4. Connect the USB power cord to the adapter, then connect the adapter end to the power supply. Operation starts.

## 5.2 Cutting of power

**CAUTION!** Before disassembling all the accessories, make sure the appliance is disconnected from the power supply.



Remove the adapter from the socket, take out the USB power base from the bottom of water tank.

## 6. Operation Instructions

### 6.1 Before First Use

1. Remove all packaging materials from the appliance. If there is a packaging bag attached to the enclosure of the appliance, remove it before use. Do not let children or pets play with the packaging bag, as it may cause suffocation and danger.

2. Thoroughly check the appliance and accessories for any damage or cracks. Do not assemble or use the appliance if there is any damage.
3. Before the first time of use, clean the surface of the USB power base with a damp cloth. Other water contact accessories can be cleaned by neutral detergent.

## **6.2 Before use**

1. Before use, it is recommended to place the appliance near a corner or against a wall. Place it on a stable, dry, heat-resistant, and waterproof surface to prevent accidents.
2. Before connecting to power supply, assemble the water tank and accessories properly.

**CAUTION!** To prevent pets from biting the cord of the USB power base resulting electric shock, be careful to cover or hide the USB power cord.

## **6.3 Operation instructions**

1. As stated in **Chapter 4.3 Assembly water pump**, install the water pump inside the water tank.
2. As stated in **Chapter 4.4 Assembly accessories**, install all accessories one by one and make sure sufficient water is filled in the tank.

**CAUTION!** Do not fill any liquid other than drinking water.

**CAUTION!** Do not fill water over MAX. level.

3. As stated in **Chapter 5.1 Connect to power supply**, connect the appliance to electricity properly.
4. Operation starts.

## 7. Troubleshooting

<b>Problem</b>	<b>Reason</b>	<b>Solution</b>
The appliance does not work.	Check if the power is connected.	Check if the USB power base and adapter are in good condition and fully inserted into the socket.
The appliance does not dispense water.	Check if water tank in lack of water.	Fill sufficient water into the water tank.

If the above solutions cannot fix the problem, do not attempt to modify the appliance by yourself, contact Shun Hing Electric Service Centre Ltd. to check and repair.

## **8. Special Avowal**

1. The content in the operation manual has been checked. Our company reserves the hermeneutic power to any printing errors or misunderstanding on the content.
2. If there are technical improvements on the appliance, the operation manual will be updated in new version without prior notice. The appliance appearance and specification are subject to the manufacturer information.
3. In case there is any inconsistency or conflict between the English version and Chinese version of the terms, the Chinese version shall prevail.
4. The e-copy of user manual can be sent by email on requested. For enquiries, please call Shun Hing Electric Works & Engineering Co., Ltd. hotline at 2861 2767.

## **9. After Sales Service**

1. For any defect, in the judgement of technician from Shun Hing Electric Service Center Limited, caused under normal use, our company is responsible for repairing or replacing parts of the said electrical appliance free of charge within one year guarantee period commencing from the date of purchase. Any defect part which has been replaced shall become our property. Guarantee service does not cover the repair or replacement of consumable parts etc.
2. User must present the official invoice/redemption voucher and the appliance warranty card with the chop from sales point/redemption center for maintenance. For enquiries, please call Shun Hing Electric Service Center Limited hotline at 2406 5666.

# NOTE

# NOTE





**Rasonic 樂信牌**

**信興電工工程有限公司**

SHUN HING ELECTRIC WORKS AND ENGINEERING CO., LTD.

辦公室：香港九龍尖沙咀東部麼地道67號半島中心9樓

電話：2861 2767

圖文傳真：2865 6706

網址：<http://www.rasonic.com>

電郵：[shew@shunhinggroup.com](mailto:shew@shunhinggroup.com)

Office: 9/F, Peninsula Centre, 67 Mody Road, Tsimshatsui East, Kowloon, H.K.

Tel: 2861 2767

Fax: 2865 6706

Website: <http://www.rasonic.com>

E-mail: [shew@shunhinggroup.com](mailto:shew@shunhinggroup.com)

**保養及維修 Maintenance and Repair Service:**

信興電器服務中心有限公司

SHUN HING ELECTRIC SERVICE CENTRE LTD.

香港新界葵湧勝耀街2號信興中心11樓

電話：2406 5666

圖文傳真：2408 0316

網址：<http://www.shesc.com/zh>

11/F, Shun Hing Centre, 2 Shing Yiu Street, Kwai Chung, N.T. H.K.

Tel: 2406 5666

Fax: 2408 0316

Website: <http://www.shesc.com/en>

**客戶服務中心**

香港新界葵湧勝耀街2號信興中心1樓

九龍尖沙咀東部麼地道67號半島中心B座9樓

香港天后琉璃街7號柏景中心22樓

澳門慕拉士大馬路193-199號南嶺工業大廈5樓I座

**Customer Service Centre**

1/F, Shun Hing Centre, 2 Shing Yiu Street, Kwai Chung, N.T.

9/F, Block B, Peninsula Centre, 67 Mody Road, Tsim Sha Tsui East, Kowloon

22/F, Parkview Centre, 7 Lau Li Street, Tin Hau, Hong Kong

Avenida de Venceslau de Morais, No. 193-199,5 andar - 1, Edf. Industrial Nam Leng,

Macau

有關最新之香港及澳門客戶服務中心資料，請參閱信興服務中心網址：

<http://www.shesc.com/zh>

For the latest information of Hong Kong and Macau service center, please visit

<http://www.shesc.com/en>

RPP-D1123